



FSEX-HI

Explosion Proof Strobe Light

CPG Signals  
 2519 4th Avenue, Moline, Illinois 61265  
 P.O. Box 590, Moline, Illinois 61266-0590  
 Phone: (800) 577-5758 Local: (309) 762-0731 Fax: (309) 762-8215



Description

Commercial Products Group Model FSEX is an explosion-proof strobe light designed for use in hazardous locations which provides 80 high intensity flashes per minute. The strobe light has an effective candle power of 850. The strobe mechanism and circuitry is contained in a corrosion resistant copper free cast aluminum, explosion-proof housing.

Wire leads are factory sealed. The wiring conduit is tapped for 3/4" conduit and has terminals for wiring connections. The strobe light is listed for indoor or outdoor use and is finished in red enamel.

The FSEX is NEMA Type 4X rated and is also listed as a marine visual signaling device. The strobe light operates on 24 VDC and is polarized for connection to supervised alarm notification circuits. The strobe is equipped with a clear, red, or amber Lexan® polycarbonate inner lens.

Application

Alarm notification appliances shall be explosion-proof strobe lights. The unit shall be designed for use in hazardous locations. The strobe light circuitry shall be contained in a corrosion resistant copper free cast aluminum, explosion-proof housing. The entire unit shall have a red finish.

The strobe lights shall be capable of indoor or outdoor mounting. The strobe lights shall be suitable for use in National Electrical Code: Class I, Groups A, and B, Division 2; Class I, Groups C, and D, Division 1 & 2; Class II, Groups E, F and G, Division 1 & 2; Class III, Division 1 & 2, hazardous locations.

The strobe lights shall have an effective candle power of 850 candela. The strobe lights shall operate on 24 VDC with 1.9A current draw and be polarized for DC supervision. The strobe lights shall be NEMA Type 4X rated and also be approved as a marine visual signaling device. The strobe lights shall be UL Listed. Alarm notification appliances shall be CPG Signals Model FSEX Series B explosion-proof strobe lights.



Features

- 24 VDC polarized operation.
- 80 high intensity flashes per minute.
- Current draw 1.9A.
- Rugged explosion-roof circuitry housing.
- Corrosion resistant housing.
- NEMA Type 4X rated.
- Approved for marine visual signaling.
- Factory sealed leads.
- Wiring conduit tapped for 3/4" conduit.
- Terminal wiring connections.
- Indoor or outdoor mounting.

Ordering Information

Model Number	Part Number	Description
FSEX-24PMR-150	FSEX-24PMR-150	Explosion-Proof Strobe, 24VDC, 1.9A, Pendant Mount, Red Housing, Clear Lens
DGXC	DGXC	Dome Guard
CMXC	CMXC	Ceiling Mount
WMXC	WMXC	90 Degree Wall Mount
SMXC	SMXC	25 Degree Stanchion Mount
LITFSEX01A	LITFSEX01A	Strobe Tube (Series A2, B1)
SSM	SSM	Sync Module, 2 Strobes per circuit

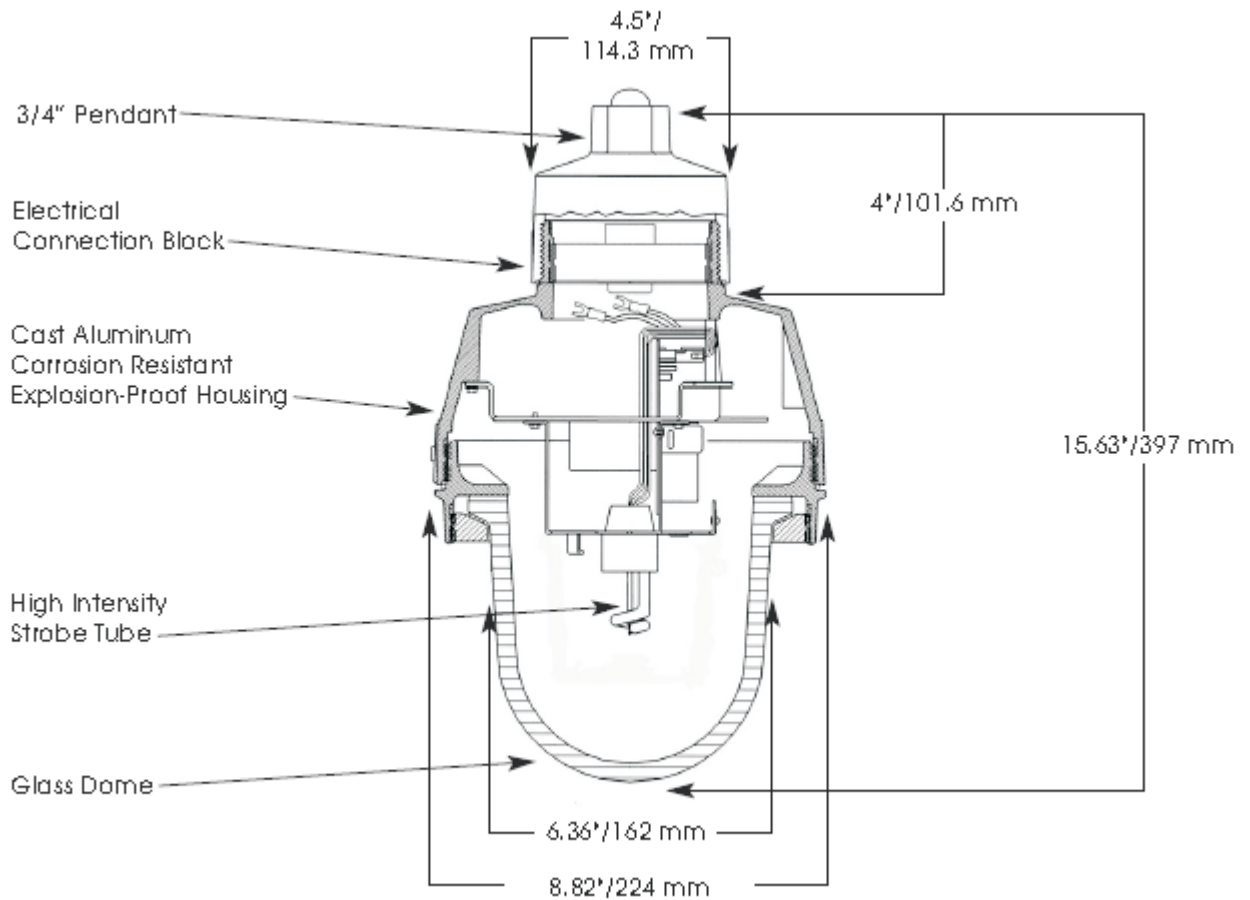


FSEX-HI

Explosion Proof Strobe Light

Model FSEX Explosion-Proof Strobe Light						
Model	Nominal Voltage	Current	On Axis Candelas	Approx. Flash Rate	Dimensions	Weight
FSEX	24VDC	1.9A	150	80/minute	15 1/2" H x 8 3/4" W	18.1 lbs.

Hazardous Locations				
Class	Group	Division	Max. Oper. Temp./Code at 40°C Ambient	
1	1	A, B	2	260°C / T2B
	1	C, D	1 & 2	85°C / T6
	2	E, F, G	1 & 2	85°C / T6
	3		1 & 2	85°C / T6



NOTICE: The information contained in this document is intended only as a summary and is subject to change without notice. The devices described in this document have specific instruction sheets which cover various technical, limitation and liability information. Copies of these instruction sheets and the General Product Warning and Limitations Document, which also contains important information are provided with the product and are available from Harrington Signal Inc. Fire Alarm. Information contained in these documents should be consulted before specifying or using the product. For further information or assistance concerning particular problems contact CPG Signals. CPG Signals reserves the right to change specifications without notice.