



ASHP

**PowerTone Amplified Speaker**

CPG Signals  
 2519 4th Avenue, Moline, Illinois 61265  
 P.O. Box 590, Moline, Illinois 61266-0590  
 Phone: (800) 577-5758 Local: (309) 762-0731 Fax: (309) 762-8215  
 Internet: www.cpgsignals.com



**Description**

CPG Signals Model ASHP PowerTone® Amplified Speaker produces a crisp, clear, high-decibel tone. The tone may be generated by a voice or tone generating system by a compact, solid-state, plug-in card. The speaker cone and projector are of spun aluminum. The circuitry and tone card are contained in dust and moisture proof sealed housing of die-cast aluminum. An internal gain control allows for volume adjustment.

The amplified speaker is NEMA 3 rated and is finished in red enamel. Model ASHP Amplified Speakers operate at 24 VDC and are polarized for connection to system supervised alarm notification circuits.

The ASHP is also available in a 120 VAC model.

**Application**

The PowerTone® Amplified Speaker is well suited for areas with high ambient noise levels and where a unique audible signal is required. When used with a voice or tone generating system and PTCK25 connector card, the speaker can produce multiple tones for various signal requirements.

For single tone applications the universal tone card may be used. The speaker may be used with any compatible 25 or 70Vrms audio system by using the PTCK25 or PTCK70 connector card. The speaker can be indoor or outdoor mounted. The ASHP is NEMA 3 rated.



**Features**

- 24 VDC polarized operation. 120 VAC model available.
- UL sound pressure level (see chart).
- Multiple tone capability
- Voice or tone generating system & PTCK).
- Wide selection of tones (single tone applications) U-TC.
- Voice capable with PTCK audio interface card.
- Die-cast aluminum circuitry housing.
- Internal gain control.
- NEMA 3 rated enclosure.
- Indoor and outdoor mounting.
- Operating Current: 24VDC .225A 120VAC .28A
- Temperature Range: -40° to 151°F.

**Ordering Information**

Model Number	Part Number	Description
ASHP-24SMR	ASHP-24SMR	Amplified Speaker, 24VDC or 25/70Vrms, Red, Weatherproof
ASHP-ACSMR	ASHP-ACSMR	Amplified Speaker, 120VAC, Red, Weatherproof
U-TC	U-TC	Universal Tone Card - Field selectable to desired tone
PTCK25	PTCK25	25Vrms Connector Card - Connects to amplified speakers to 25 Vrms audio system
PTCK70	PTCK70	70Vrms Connector Card - Connects to amplified speakers to 70 Vrms audio system



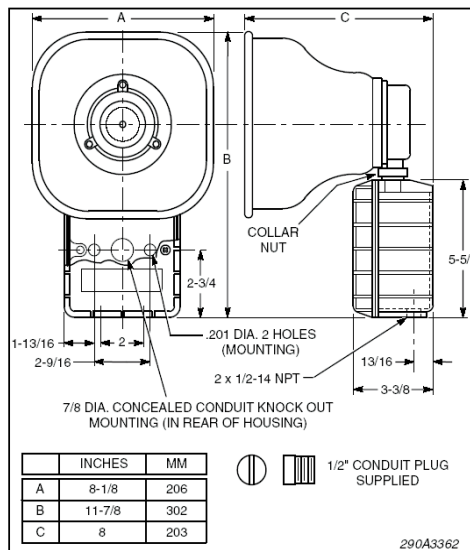
ASHP

PowerTone Amplified Speaker

**Specifications**

Alarm notification appliances shall be amplified speakers using solid-state circuitry. The speakers shall operate at 24 VDC or 120 VAC. The amplified speaker circuitry shall be housed in a die-cast, dust and moisture proof aluminum housing which is NEMA 3 rated. The speaker cone and projector shall be of spun aluminum. The entire unit shall have a red finish. The amplified speakers shall be capable of clearly reproducing any number of HSI tones. The tones shall be selectable by connection to a voice or tone generating signaling system using a PTCK25 connector card (for single or multiple tones) or a plug-in universal tone card for a select tone. The amplified speakers shall be compatible with any 25 or 70Vrms audio system using the PTCK25 or PTCK 70 connector card. The amplified speakers shall have an internal gain control for tone output adjustment. The amplified speakers shall be capable of indoor or outdoor mounting. The speakers shall be UL Listed for fire alarm signaling use. Alarm notification appliances shall be CPG Signals Model ASHP PowerTone® amplified speakers.

Tone Card Sound (Model UTC)			Audible Frequency (Hz)	Repetition rate (cycles/min)	Audibility	
Selection	Name	Description			dB(A) Sound Power	UL dB(A) Sound Pressure
TM1	Wail	Conventional siren	550-1250	11	118.1	97.5
TM2	Yelp	Rapid siren	550-1250	3.3 Hz	118.0	97.4
TM3	Hi-Lo	Alternating high and low	560 and 760	50	116.9	96.3
TM4	Bell	Bell, struck repeatedly	800	50	115.8	95.2
TM5	Yeow	Descending high to low, repeated	1300 and 550	36	118.0	97.4
TM6	Hom	Steady horn	470	Continuous	112.2	91.6
TM7	Beep	Slow intermittent horn	470	50	110.8	90.2
TM8	Stutter	Rapid intermittent horn	470	5	110.3	89.7
TM9	Slow Whoop	Slow ascending, low to high – repeated	420 and 1160	15	116.1	95.5
TM10	Temporal Slow Whoop	NFPA coded slow whoop (fire alarm use only)	420 and 1160	15	113.9	93.3
<b>Connector card model</b>			<b>Rated voltage</b>			
PTCK25			25 VRMS		108.7	94.4
PTCK70			70 VRMS		109.0	94.1



NOTICE: The information contained in this document is intended only as a summary and is subject to change without notice. The devices described in this document have specific instruction sheets which cover various technical, limitation and liability information. Copies of these instruction sheets and the General Product Warning and Limitations Document, which also contains important information are provided with the product and are available from Harrington Signal Inc. Fire Alarm. Information contained in these documents should be consulted before specifying or using the product. For further information or assistance concerning particular problems contact Harrington Signal Inc. Harrington Signal Inc. Fire Alarm reserves the right to change specifications without notice.