

Surface Speaker Box

Model SSBR

DESCRIPTION

The SSBR is designed for surface mounting CPG Model SPL and Model SPA, plate square, fire alarm speakers. The box features a universal mounting design to fit most any application. 1/2" / 3/4" combination knockouts are located on the back and two sides of the box. Additional Wiremold style knockouts are also provided on two sides of the box. The SSBR is red in color.

The SSBR will also accept CPG strobes utilizing an MPV or SFLR style mounting plate.

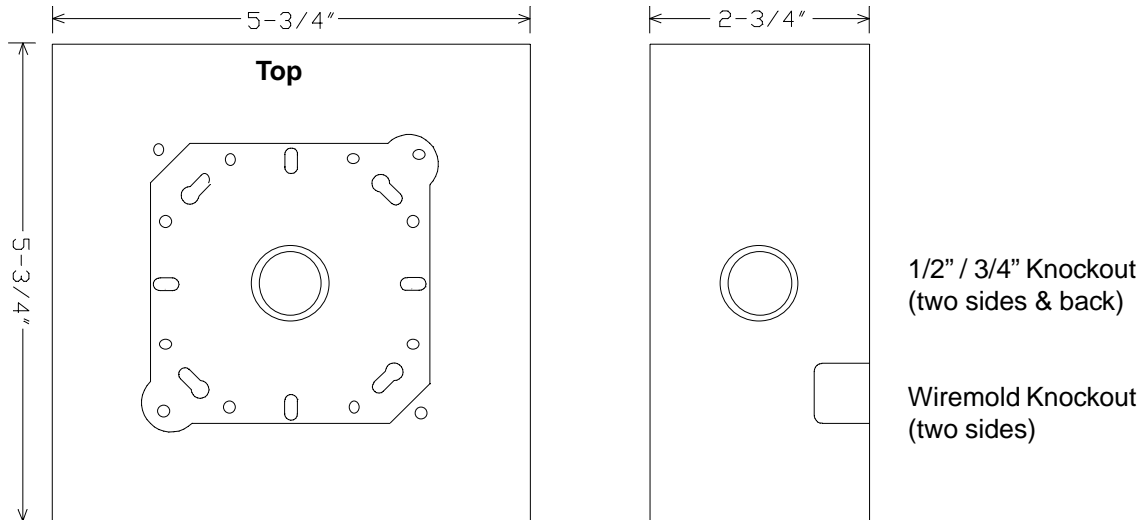
STANDARD FEATURES

- Universal Mounting design.
- 1/2" / 3/4" combination knockouts provided on back and two sides of box.
- Wiremold style knockouts provided on two sides of box.
- Heavy duty steel construction.
- Red enamel paint.

SPECIFICATIONS

Dimensions: 5.75"W x 5.75"H x 2.75"D

Weight: Approximately 1.75 lbs.



SSBR - Surface Speaker Mounting Box