



MPEX

Explosion Proof Manual Pull Station

CPG Signals
 2519 4th Avenue, Moline, Illinois 61265
 P.O. Box 590, Moline, Illinois 61266-0590
 Phone: (800) 577-5758 Local: (309) 762-0731 Fax: (309) 762-8215
 Internet: www.cpgsignals.com



Description

Explosion Proof MPEX Pull Stations are designed for use in Class I, II, and III hazardous areas. A hinged cover holds a sliding actuator plate in place. By lifting the cover and pulling down the ring, a compression spring is released, thus allowing the internal switching device (contact block) to return to its normal position, activating the alarm circuit.

Applications

Model MPEX fire alarm pull stations are suitable for:
 Hazardous areas due to the presence of flammable gases or vapors, combustible dusts or easily ignitable fibers or filings
 Installation at petroleum refineries, chemical and petrochemical plants, storage areas and other processing facilities where hazardous substances are handled or stored
 Areas where emergency control of fire alarm or signal circuits is required

Operation

The MPEX alarm station is activated by lifting the front cover and pulling down the ring. This quick, easy to use two-step process prevents unintentional operation. Operator is reset by depressing shaft and returning plate to the original position.

Features

- UL Listed (E50498)
- CSFM Listed
- Enclosure is made of copper free aluminum alloy
- 120VAC, 60Hz, 6 amps, with 3/4" NPT feed through conduit openings
- Red, textured powder epoxy paint finish is standard on box and cover and provides high visibility for alarm station
- Universal (1) normally open and (1) normally closed contact furnished standard



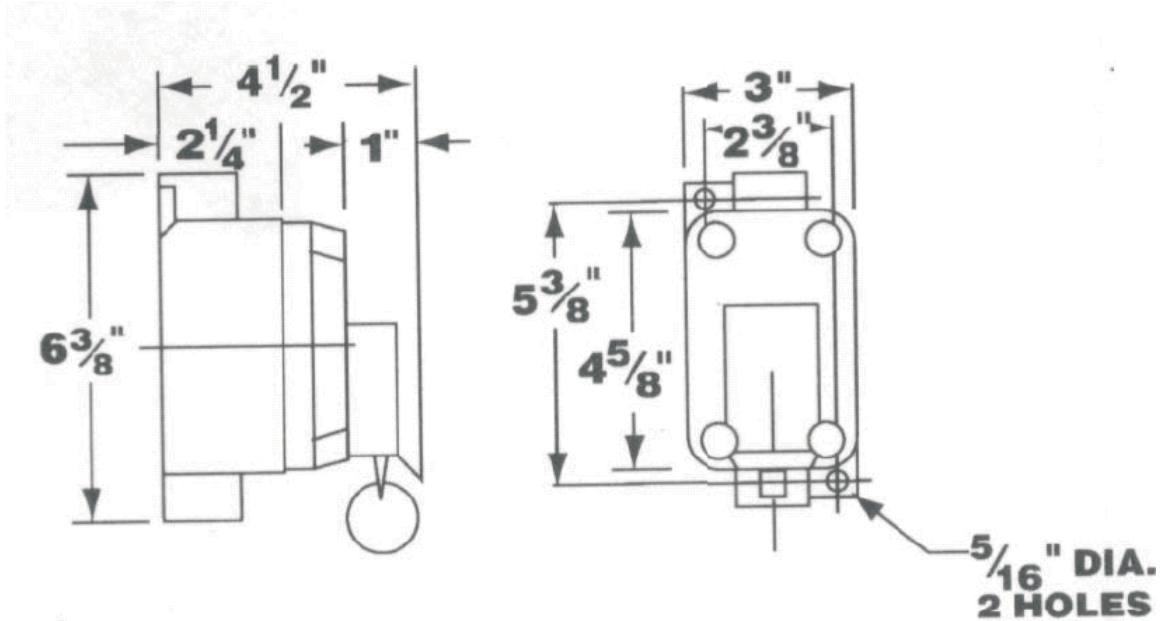
Ordering Information

Model Number	Part Number	Description
MPEX	MPEX	Explosion proof pull station



MPEX

Explosion Proof Manual Pull Station



Contact Block Rating								
AC					DC			
VOLTS	MAKE AMPERES	VA	BREAK AMPERES	VA	CONTINUOUS CARRYING AMPERES	VOLTS	MAKE BREAK	CONTINUOUS CARRYING AMPERES
120	60	7200	6	720	10	125	1.1	10
240	30	7200	3	720	10	250	0.55	10
480	15	7200	1.5	720	10	600	0.2	10
600	12	7200	1.2	720	10			

NOTICE: The information contained in this document is intended only as a summary and is subject to change without notice. The devices described in this document have specific instruction sheets which cover various technical, limitation and liability information. Copies of these instruction sheets and the General Product Warning and Limitations Document, which also contains important information are provided with the product and are available from Harrington Signal Inc. Fire Alarm. Information contained in these documents should be consulted before specifying or using the product. For further information or assistance concerning particular problems contact Harrington Signal Inc. Harrington Signal Inc. Fire Alarm reserves the right to change specifications without notice.