



FHEX

Explosion-Proof Horn

CPG Signals
 2519 4th Avenue, Moline, Illinois 61265
 P.O. Box 590, Moline, Illinois 61266-0590
 Phone: (800) 577-5758 Local: (309) 762-0731 Fax: (309) 762-8215



ISO 9001 Certified Management System

Description

CPG Signals Model FHEX vibratory horn is designed for use in hazardous locations. The horn produces a loud, distinctive tone by electromechanical vibration of a stainless steel diaphragm. The horn mechanism and circuitry is contained in a corrosion resistant copper free cast aluminum, explosion-proof housing. Wire leads are factory sealed. The horn operated on 25VDC and is polarized for connection to supervised alarm circuits. The wiring conduit is tapped for 3/4" conduit. The horn is listed for indoor or outdoor use and is finished in red enamel.

Application

The model FHEX vibratory horn is well suited for signaling in hazardous locations with high ambient noise levels and where a unique audible signal is required. The horn is suitable for use in National electrical Code (NFPA 70):
 Class I, Groups C & D, Division 1;
 Class II, Groups E, F, and G Division 1
 Class III, hazardous locations.

The horn is designed for locations where danger of explosion or fire exists.

Features

- 24VDC operation
- Polarized
- Loud distinct tone
- UL sound pressure level 94dB(A) at 10 feet
- Vibratory horn
- Rugged explosion-proof circuitry housing
- Corrosion resistant cast aluminum housing
- Factory sealed leads
- Wiring conduit for 3/4" conduit
- Indoor or outdoor mounting
- NEMA 4X rated



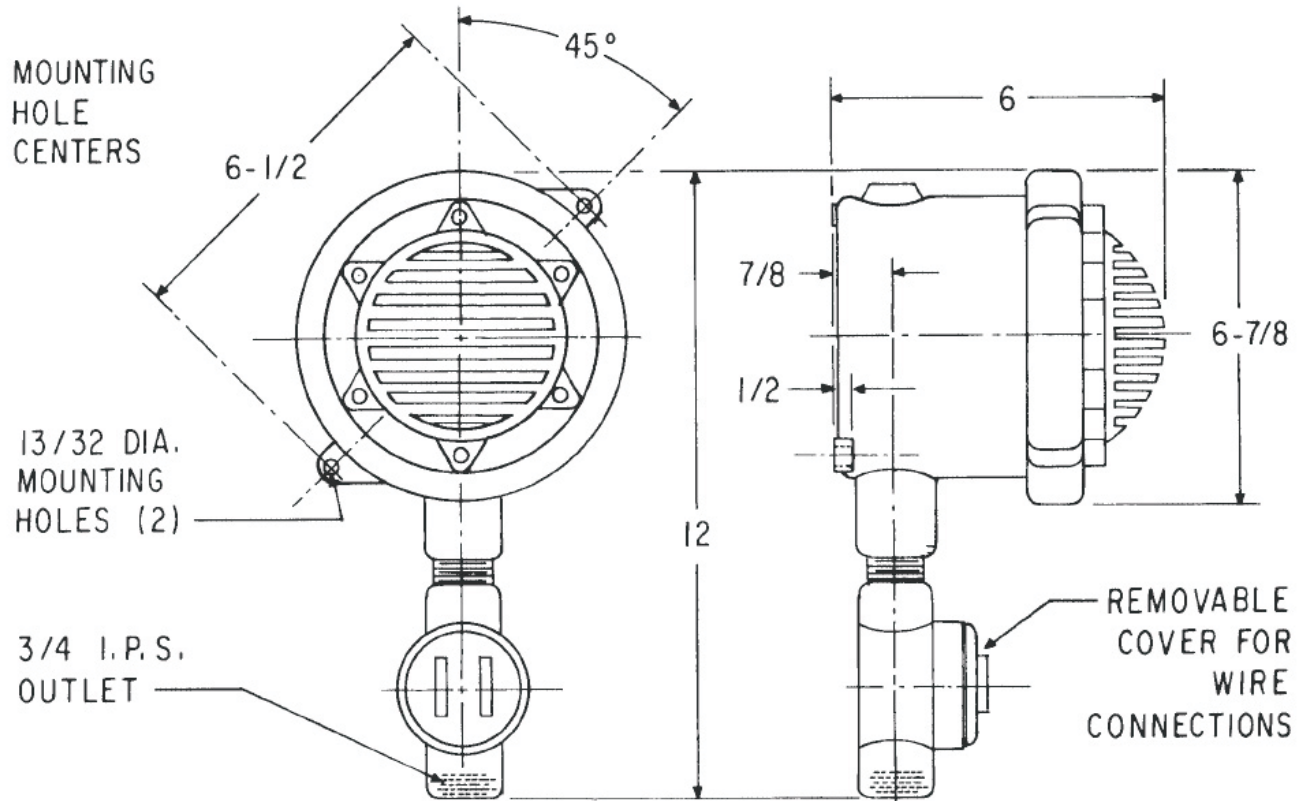
Ordering Information

Model Number	Part Number	Description
FHEX-24SMR		Explosion-proof Horn, 24VDC, 1.2A, Red



FHEX

Explosion-Proof Horn



Specs

24VDC, 1.2A, 94dBA Sound Pressure, 116dBA Sound Power, 12"x6 7/8" x 6", 10lbs

NOTICE: The information contained in this document is intended only as a summary and is subject to change without notice. The devices described in this document have specific instruction sheets which cover various technical, limitation and liability information. Copies of these instruction sheets and the General Product Warning and Limitations Document, which also contains important information are provided with the product and are available from Harrington Signal Inc. Fire Alarm. Information contained in these documents should be consulted before specifying or using the product. For further information or assistance concerning particular problems contact CPG Signals. CPG Signals reserves the right to change specifications without notice. Quality manufactured for CPG Signals by Federal Signal.