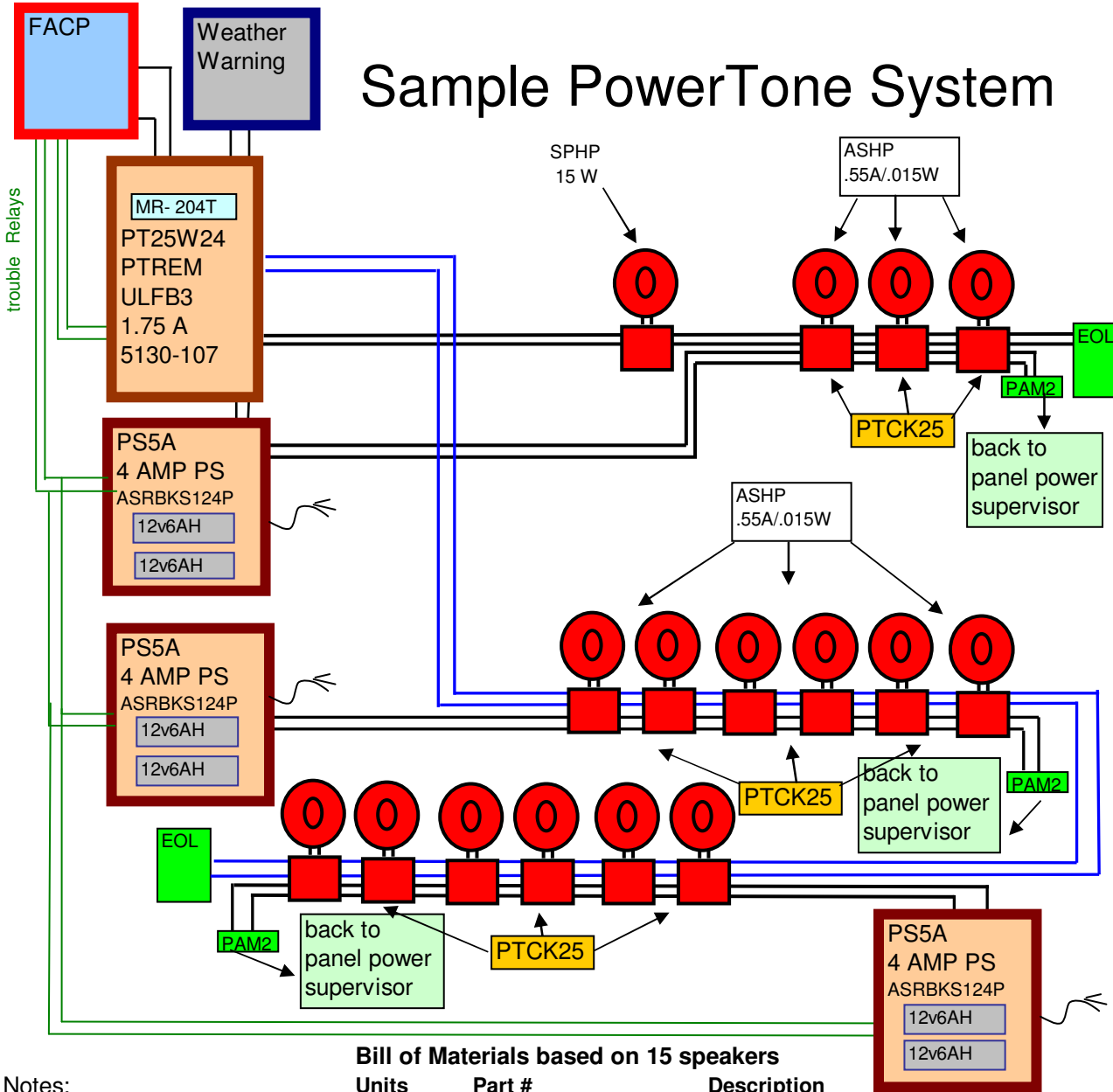


Sample PowerTone System



Bill of Materials based on 15 speakers

| Units | Part # | Description |
|-------|--------------|-----------------------------------|
| 1 | PT25W24 | PowerTone System |
| 1 | PTREM | Remote Tone Activation cable |
| 0 | 5130-107 | 2 Circuit alarm indication module |
| 1 | MR-204T | 4 Position DPDT Relay w/LED |
| 1 | ULFB3 | Housing |
| 3 | PS5A | 4 Ah Power Supply |
| 2 | ASRBKS124P | Trouble relay for PS5A |
| 6 | 12V6Ah | Batteries |
| 1 | SPHP-DVSMR * | Multi-Tap High Powered Speakers |
| 14 | ASHP-24SMR | Haz. Loc. Amp. Speakers |
| 14 | PTCK25 | Speaker Interface card for ASHP |
| 2 | PAM2 | Power Supervision Relay |

1. *minimum power supplies needed* 2.3625
2. *Bill of materials only includes parts for audio system*

Notes:

This drawing is for design purposes only, showing the flexibility of the parts listed. Refer to installation instructions for proper wiring and application information.

The strobes are powered from the Fire Alarm Control. During weather warning, the fire strobes must not activate. Strobe wiring is not shown in this drawing.

Parts and pieces for FACP are not included in sample bill of materials
Must not exceed 25 Watts total per PowerTone System.

Each amplified speaker requires an audio interface card or tone card for stand alone!

