

SPA

POWERTONE® EXTERNALLY ADJUSTABLE POWERTAP LOUDSPEAKERS (With or without Strobe Warning Light)

SAFETY MESSAGE TO INSTALLERS

People's lives depend on your safe installation of our products. It is important to read, understand and follow all instructions shipped with this product. In addition, listed below are some other important safety instructions and precautions you should follow:

- This unit should be installed by a qualified electrician in accordance with NFPA 72, and national and local Electrical and Fire Codes, under the direction of the authority having jurisdiction.
- If the unit is not installed in a supervisory system, it must be tested at regular intervals. Refer to NFPA 72 and the local Fire Codes for this information.
- After installation and testing are complete, provide a copy of this instruction sheet to all personnel responsible for routine testing and maintenance of this equipment.

Failure to follow all safety precautions and instructions may result in property damage, serious injury, or death to you or others.

A. GENERAL.

The Model SPA loudspeakers are Underwriters Laboratories listed for "Fire Protective Signalling Use" (category designation UUMW). The loudspeakers are designed to reproduce electronically generated warning tones that command rapid recognition of fire alarm and other emergency alerting signals. Either a 25 or 70 VRMS AC signal source can be used. In addition, this loudspeaker can reproduce full range voice communication. An in-line capacitor (supplied) provides the isolation necessary for supervisory use.

Speaker/strobe models have a 24Vdc strobe factory installed on the grille or re-entrant housing. All strobes are listed by Underwriters Laboratories in their respective categories. For additional information regarding the attached strobe, refer to Model V1971 strobe instruction sheet (CPG Part No. 2561090) or Model VST strobe instruction sheet (CPG Part No. 2561310).

Speaker styles include: round or square front grilles (textured vinyl-clad metal), or a high-impact plastic re-entrant housing for various applications.

B. EXTERNAL POWER TAP ADJUSTMENT.

See figure 1. Multiple power settings are achieved via an externally adjustable recessed triangular power tap. The unit is set at the factory to the 1/4 watt position. To increase the power (volume), insert the supplied key into the triangular opening and turn the key counterclockwise until the desired power setting (1/4, 1/2, 1, or 2-watt) is indicated.

C. INSTALLATION.

WARNING

To avoid electrical shock, do not attempt to install wires when power is on.

1. *Electrical Connections.*

WARNING

Property damage, serious injury, or death in the protected premises may occur if wiring is improperly terminated. An uninsulated section of a single conductor must NOT be looped around a terminal and used as two separate connections. The wire must be severed to provide electrical supervision of the connection.

NOTE

The fixed terminal type speaker is supplied as either a terminal block style or a discrete terminal style. Non-strobe units contain a 2-position terminal block or two discrete terminals; strobe units contain a 4-position terminal block or four discrete terminals (see figures 2 and 3).

Use 2 x 12-18 AWG wiring for both speaker and speaker/strobe models.

Strip 3/8" of insulation from all wiring leads. Attach the appropriate wires to the corresponding terminals on the

Speaker Type	Power Tap	UL Sound Level @ 10' dB(A)
Flush Grille or Re-Entrant Housing with and without strobe	1/4 Watt	78
	1/2 Watt	81
	1 Watt	84
	2 Watt	87

Table 1. Wattage vs. UL Sound Output, dB(A) for Series B SPA Speakers.

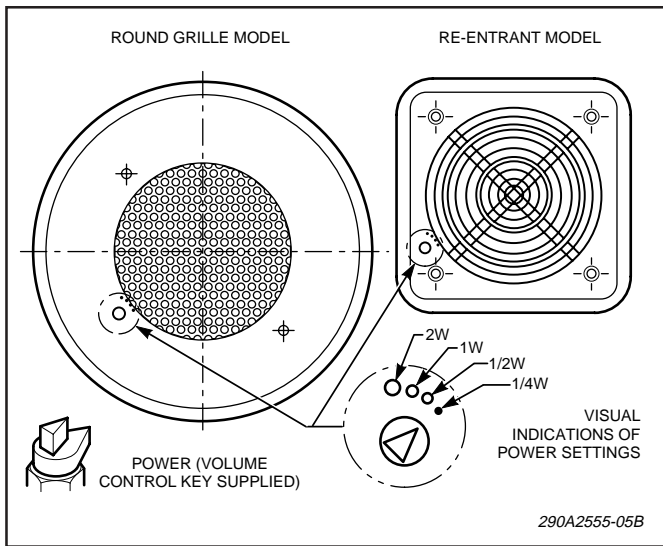


Figure 1.

back of the speaker (see figures 3 and 4). Tighten the screws to ensure that the wire(s) are firmly held in place.

2. *Mounting.*

Both the round and square grille speakers will fit either a NB backbox with a NBE extension ring or a NBL backbox with a NBE extension ring. Re-entrant housings fit either a NB or NBL backbox with or without a surface mount trim plate (TP). Re-entrant housings will also fit a FBL backbox with a TP flush mount trim plate.

Use the two #8-32 x 1-1/4" (supplied) mounting screws and mount the speaker or speaker/strobe as shown in figure 5.

D. TEST AFTER INSTALLATION.

Check for proper operation of the speaker and Visalert strobe (if attached) after installation. A copy of this installation sheet must be given to all personnel responsible for routine testing and maintenance of this equipment.

E. MAINTENANCE.

If cleaning of the Model SPA's front face is required, a mild soap solution is recommended as the cleaning agent.

NOTE

Although not advised, if painting/touch-up of the grille model's vinyl face is necessary, a vinyl-based paint is required for coverage.

**SAFETY MESSAGE
TO
MAINTENANCE PERSONNEL**

Failure to follow all safety precautions and instructions may result in property damage, serious injury, or death to you or others.

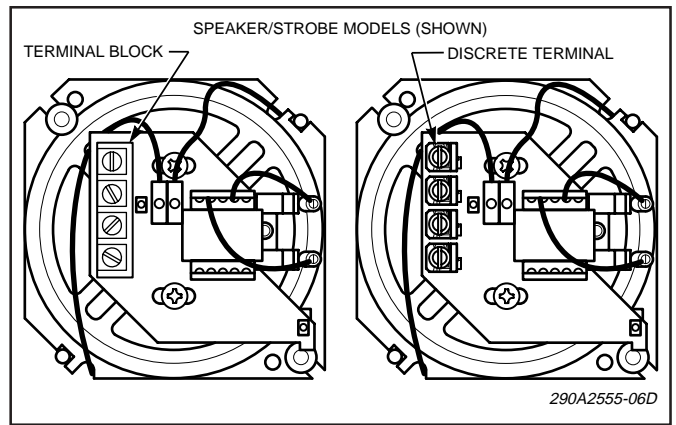


Figure 2.

- Read and understand all instructions before performing maintenance on this unit.
- Periodic checks should be made to ensure that effectiveness of this device has not been reduced because speaker has become clogged with a foreign substance or because objects have been placed in front of the speaker.
- Any maintenance to this unit **MUST** be performed by a trained electrician in accordance with NEC guidelines and local codes.
- Never alter this unit in any manner. Safety in hazardous locations may be jeopardized if additional openings or alterations are made to Model SPA.

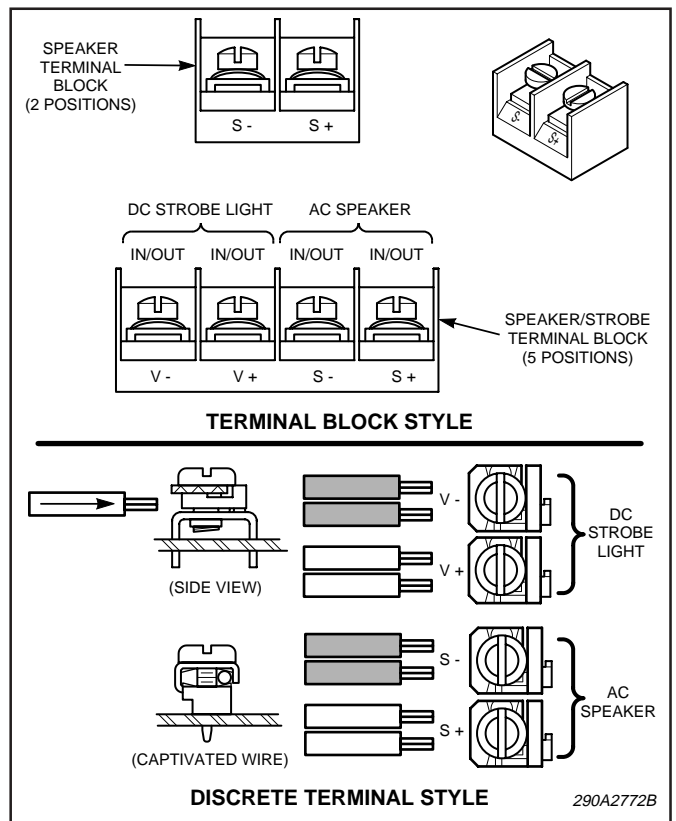


Figure 3.

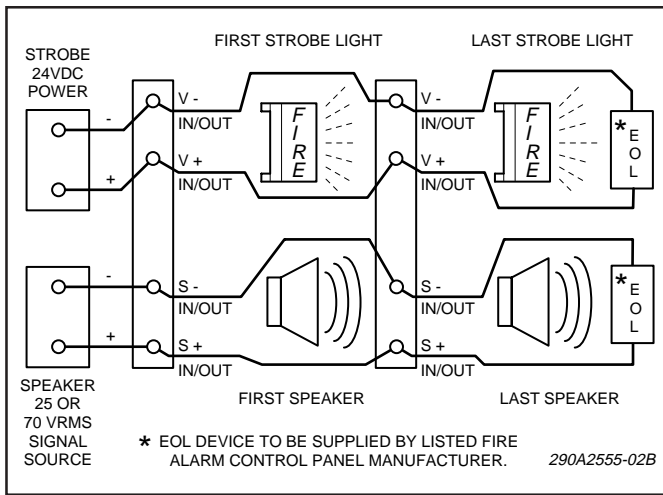


Figure 4.

1. Periodically check this device to verify that there are no foreign substances in, or in front of, the speaker which will reduce its effectiveness.
2. Testing should be periodically performed. Refer to NFPA 72, local Fire Codes and the authority having jurisdiction for information.
3. In the event a volume adjustment is required, be sure to refer to the Safety Message To Maintenance Personnel before proceeding.

WARNING

Unauthorized repair/servicing of the unit may result in degradation of performance and/or property dam-

age, serious injury, or death to you or others. If a malfunctioning unit is encountered, do not attempt any field repair/retrofit of parts.

F. SERVICE.

This product is covered by a 5 year limited warranty. See CPG terms and conditions for details.

The factory will service your equipment or provide technical assistance with any problem that cannot be handled locally with satisfaction or promptness.

If any unit is returned to factory for repair, it can be accepted only if we are notified by mail or phone in advance of its arrival. Such notice should clearly indicate service requested and give all pertinent information regarding nature of problem and, if possible, its cause.

Communications and shipments should be addressed to:

Technical Service Department
 Commercial Products Group
 2519 - 4th Avenue
 Moline, IL 61265
 800.521.8219 • FAX 800.225.4109

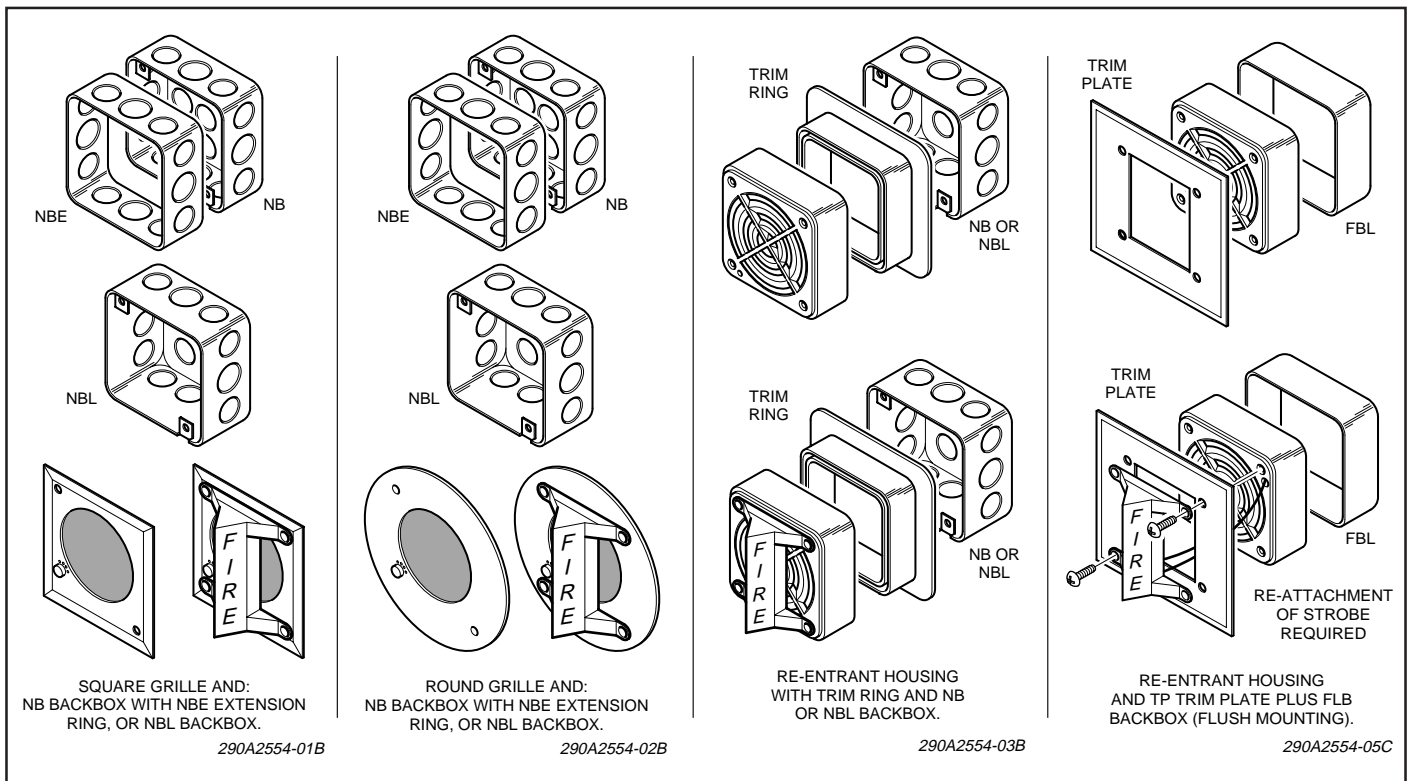


Figure 5.