



VST  
Strobe Lights

CPG Signals  
2519 4th Avenue, Moline, Illinois 61265  
P.O. Box 590, Moline, Illinois 61266-0590  
Phone: (800) 577-5758 Local: (309) 762-0731 Fax: (309) 762-8215



ISO 9001 Certified Management System

Description

The CPG Signals Model VST strobe light is a visual signaling device which meets UL 1638 requirements for visual signaling appliances for indoor use. The VST strobes (series AB2 and HB1) are rated for 18 to 31 VDC when filtered or unfiltered full wave rectified power is applied to the strobe. These models are available in amber, clear, red, and blue lenses.

CPG strobe models are available factory assembled to a UL listed sounding device, or as a stand alone unit. The factory assembled units have a different current draw than the stand alone units (since the strobe is wired into some devices). CPG Model VST strobes (series AB2 and HB1) are rated for 18 to 31 VDC when filtered or unfiltered full-wave rectified power is supplied to the strobe. All Model VST's are listed by UL as "Visual Signaling Appliance" (category UEES) for

indoor use. The units are available with clear, amber, red or blue high-impact polycarbonate lenses.

Features

- UL listed
- Available in Clear, Amber, Red & Blue Lenses
- Polycarbonate lens
- With backplate mounts to standard 4" back box
- Stand Alone Units
- Can be factory installed to sounding devices
- Available in 1 Hz or 1/3 Hz



Optional Features

- Double gang plate model can be mounted to a single gang, double gang, or 4 square electrical box.
- Ideal for mass notification

Ordering Information

Model Number	Part Number	Description
		Flash Rate 1 Hz
VST-A24-A	VST-A24-A	VST Strobe Light, 1 Hz, 24VDC, 0.103A, Amber Lens, Polarized
VST-A24-B	VST-A24-B	VST Strobe Light, 1 Hz, 24VDC, 0.103A, Blue Lens, Polarized
VST-A24-R	VST-A24-R	VST Strobe Light, 1 Hz, 24 VDC, 0.103A, Red Lens, Polarized
		Flash Rate 1/3 Hz
VST-H24-A	VST-H24-A	VST Strobe Light, 1/3 Hz, 24 VDC, 0.103A, Amber Lens, Polarized
VST-H24-B	VST-H24-B	VST Strobe Light, 1/3 Hz, 24 VDC, 0.103A, Blue Lens, Polarized
VST-H24-R	VST-H24-R	VST Strobe Light, 1/3 Hz, 24 VDC, 0.103A, Red Lens, Polarized
VST-H24-T	VST-H24-T	VST Strobe Light, 1/3 Hz, 24 VDC, 0.103A, Clear Lens, Polarized

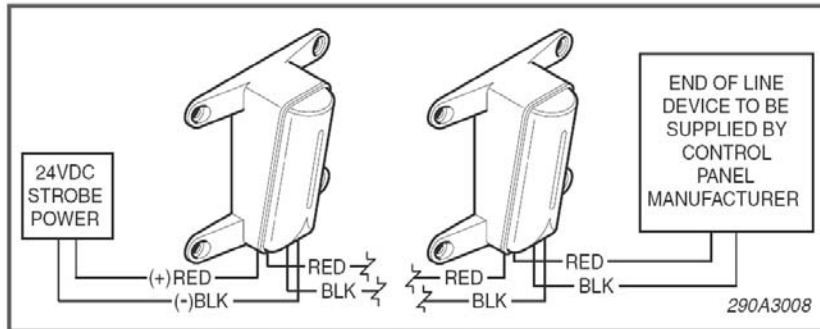


VST

Strobe Lights

**Ordering Information**

	<b>VST Combination / Audible Devices</b>
	<b>Replace "x" in Part Number with Appropriate Strobe Letter Designator</b>
	<b>Y= Amber; B = Blue; R = Red; T = Clear</b>
ASHP x 24SMR	Amp. Speaker/Strobe, VST Strobe, 1/3 Hz, 24 VDC, 0.653A, Polarized, 97dB, Red
MSHP x 25DGR	Mini-Speaker/Strobe, VST Strobe, 1/3 Hz, 25 Volt, 1 Watt, Red
MSHP x 25DGW	Mini-Speaker/Strobe, VST Strobe, 1/3 Hz, 25 Volt, 1 Watt, White
MSLP x 25DGR	Mini-Speaker/Strobe, VST Strobe, 1/3 Hz, 25 Volt, .75 Watt, Red
MSLP x 25DGW	Mini-Speaker/Strobe, VST Strobe, 1/3 Hz, 25 Volt, .75 Watt, White
SPHP x DVSMR	High Output, Surface Mount, 25 or 70 Volt, w/VST Strobe, 1/3 Hz, Red



Typical Model VST Strobe Wiring.

Model VST		Series AB2	Series HB1
Avg. Candelas @ 18V 0° Horiz. & Vert.	Clear	64.60	103.80
	Amber	33.70	76.87
	Red	10.00	23.27
	Blue	1.35	2.44
Flashes/minute		60	20
VDC Range		18-31	18-31
Amps (24 VDC)		0.148	0.103
Ave. Current (VDC)		0.246-0.136	0.154-0.097
Peak Current (VDC)		0.670-0.550	0.536-0.476
Inrush Current (VDC)		0.940-1.630	1.030-1.860
RMS Current (VDC)		0.356-0.220	0.235-0.172
Peak Current (FWR)		0.770-0.588	0.640-0.744
Inrush Current (FWR)		1.130-2.040	1.310-2.220

*Model VST Ratings*

**NOTE:**

For the following CPG models, refer to the appropriate instruction sheet for the device's current draw. (The strobe is wired independently from unit; the strobe's current draw can be found in Table 1 of this instruction sheet).

ASHP.....256880  
 MSHP, MSLP.....256954  
 SPHP.....256882

NOTICE: The information contained in this document is intended only as a summary and is subject to change without notice. The devices described in this document have specific instruction sheets which cover various technical, limitation and liability information. Copies of these instruction sheets and the General Product Warning and Limitations Document, which also contains important information are provided with the product and are available from Harrington Signal Inc. Fire Alarm. Information contained in these documents should be consulted before specifying or using the product. For further information or assistance concerning particular problems contact Harrington Signal Inc. Harrington Signal Inc. Fire Alarm reserves the right to change specifications without notice.